

WRAP GLUE APPLICATOR

APPLY NATURAL ADHESIVE TO WRAPS FOR A STRONG SEAL AFTER ASSEMBLY



The Wrap Glue Applicator applies a liquid natural adhesive to tortilla wraps, allowing for a strong seal after the sandwich assembly process. Simply manually feed wraps into the machine in one or two lanes, and a strip of adhesive is deposited and applied to the inside edge of the wrap by rollers. Batch counting and line speed of the wrap transferring to assembly conveyor make the Wrap Glue Applicator a perfect fit for the start of your wrap production line.

- Apply adhesive on up to 40 12-inch wraps per minute, per lane
- Manually feed wraps into the machine, where a roller applies natural adhesive then transfers the wrap to the main assembly conveyor
- Easy-to-use touch screen controls to adjust speed, counts and deposit weight
- Sanitary design with easily removable parts allows for quick, thorough cleaning and maintenance

COMMON FOOD APPLICATIONS



Wraps



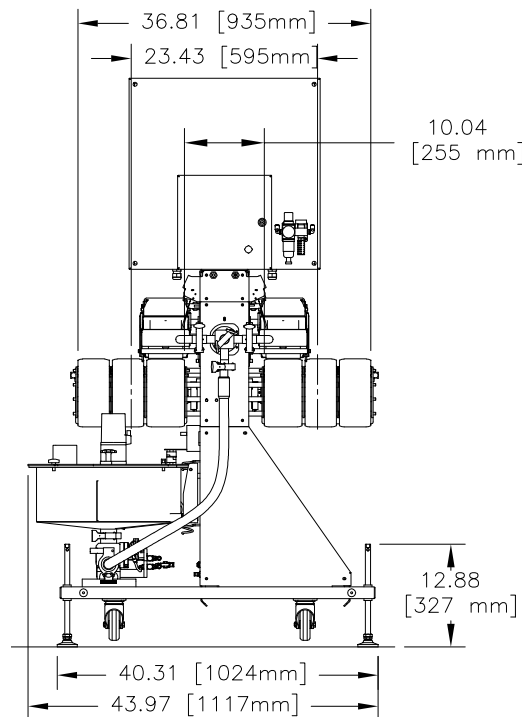
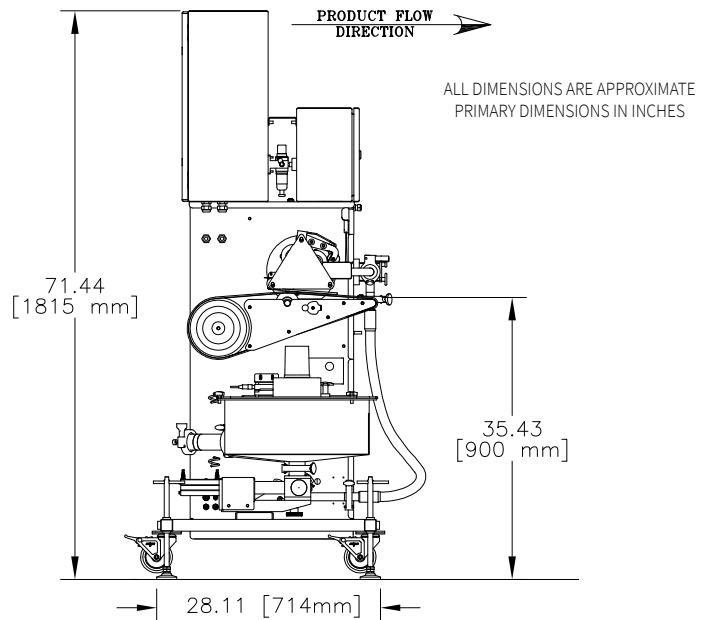
WRAP GLUE APPLICATOR

SPECIFICATIONS

- Product Size: up to 12" (304 mm) diameter
- Product Thickness: up to 4 mm
- Adhesive Deposit: 2-10 g
- IP Code: IP65
- Pneumatic: 60 psi
- Electrical: 415 VAC, 50 Hz, 3 Phase

FEATURES/PARTS

- Single and two-lane configuration available
- PLC with Colour PMI controls standard (Mitsubishi or Allen Bradley available)
- Liquid Adhesive Reservoir Tank



This drawing contains confidential information is the exclusive property of the J.E. Grote Co. Neither this document, nor its contents, are to be used, reproduced or disclosed in whole or in part without the express written permission of the J.E. Grote Co. Copyright 2017, J.E. Grote Company, Inc.

E 10.17v5

CONTACT US

Grote Company is proud to provide top quality equipment, exceptional service and peace of mind worldwide. Contact us for more information or to schedule a demo of the Wrap Glue Applicator with your product in your exact operating conditions in our Demo Facility.



To feed our growing world - Together

sales@grotecompany.com
grotecompany.com