

# INLINE TORTILLA WARMER

EVENLY WARM TORTILLAS AND FLATBREADS FOR A HIGHER QUALITY, MORE PLIABLE FOLD OF YOUR SANDWICHES, BURRITOS AND MORE



The Inline Tortilla Warmer uses heat and optional mist to warm wraps, conditioning them for filling and folding, which drastically reduces cracks and improves quality. It's ideal for many applications, from tortillas to flatbreads for sandwiches, burritos and more.

Inline warming from double rows of ceramic elements produces a consistently even temperature. A water mist system with zone spraying further increases pliability. Its modular design featuring a cantilevered frame and casters allows you to move the Tortilla Warmer on and off the line for quick product changes and sanitation.

With the Inline Tortilla Warmer you get a consistently higher quality product, improved food safety and increased production.

- Output of up to 60 tortillas per minute, per lane
- Single or two-lane configurations available on 19" conveyor width
- Variable speed control
- Zone coverage water mist system with up to three zones per lane
- Sanitary design allows for quick and thorough cleaning

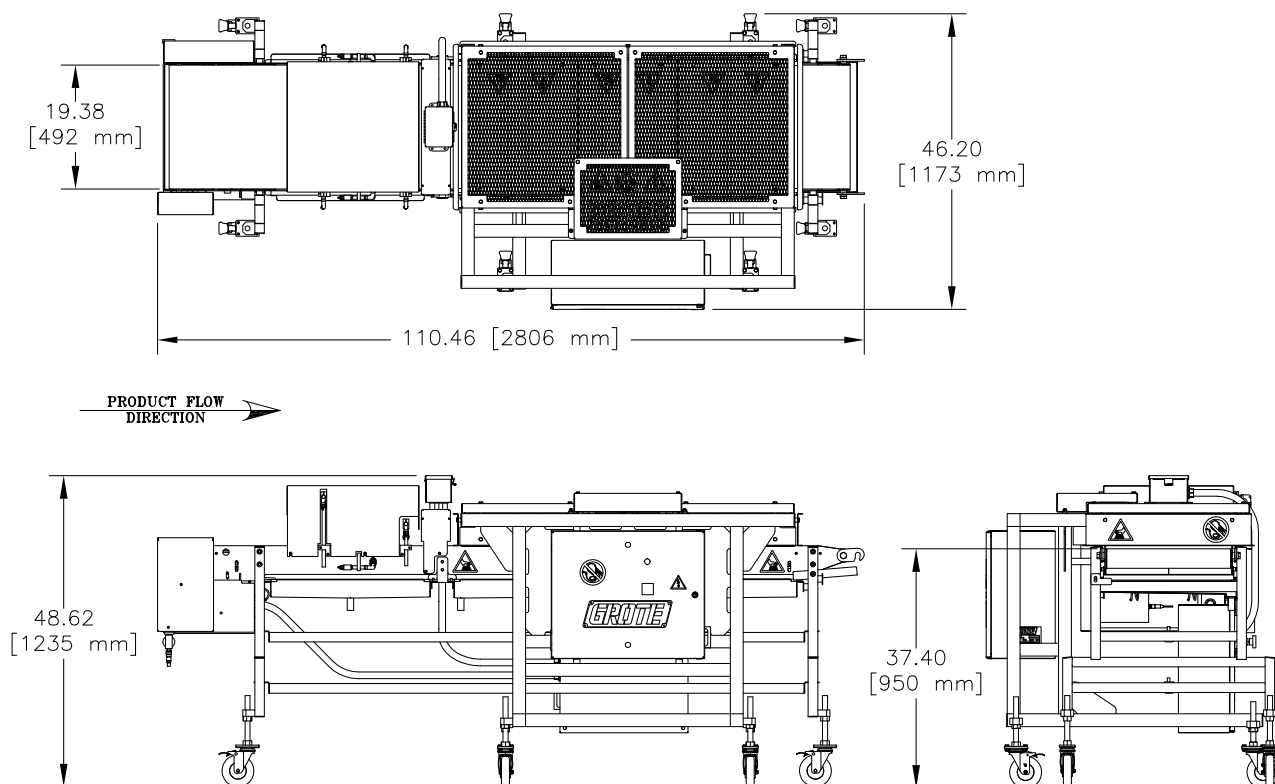
## COMMON FOOD APPLICATIONS



Wraps/Sandwiches



# INLINE TORTILLA WARMER



ALL DIMENSIONS ARE APPROXIMATE  
PRIMARY DIMENSIONS IN INCHES

This drawing contains confidential information that is the exclusive property of the J.E. Grote Co. Neither this document, nor its contents, are to be used, reproduced or disclosed in whole or in part without the express written permission of the J.E. Grote Co. Copyright 2017, J.E. Grote Company, Inc.

## SPECIFICATIONS

Product Size:

Single Lane: up to 18"  
(457 mm) diameter

Two-Lane:

up to 9" (228 mm) diameter

Electrical: 460 VAC, 60 Hz, 3 Phase

## FEATURES/PARTS

- 9' (2.74 m) feed conveyor
- Single or two-lane configurations available on 19" wide wire mesh belt
- Set point controller for temperature and control adjustment
- Three-zone coverage water mist system with independent top and bottom control

E 4.18/v3

## CONTACT US

Grote Company is proud to provide top quality equipment, exceptional service and peace of mind worldwide. Contact us for more information or to schedule a demo of the Inline Tortilla Warmer with your product in your exact operating conditions in our Demo Facility.



*To feed our growing world - Together*

sales@grotecompany.com  
grotecompany.com