

SANDWICH CUTTER AC60

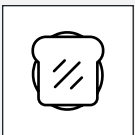
CUT SANDWICHES IN HALVES CLEANLY AND QUICKLY WITH A CUSTOM-FIT CUTTER



The AC60 Series Sandwich Cutters cut virtually any sandwich in half accurately and cleanly using mechanical or ultrasonic blades. It is tailored to your operation through a number of available configurations and models. The Mechanical model's vertical reciprocating blade cuts cleanly and the electric aligner ensures cuts are precise. With the Ultrasonic model, the razor sharp, titanium oscillating blade cuts softer products cleanly and precisely, with the help of high frequency ultrasonic vibrations that create a friction-free surface. All models' user-friendly operation and sanitation allow for fast set-up, usage and thorough cleaning.

- Cut up to 60 sandwiches per minute, per lane
- Mechanical or ultrasonic blades cut sandwiches in half straight or at a 45 degree angle. Quarter cuts available in the Tandem model
- Cuts through virtually any sandwich product – bread, meat, cheese, wet salads and produce
- Recipe-driven touch screen control system adjusts settings automatically – reducing changeover time, increasing efficiency and throughput
- Sanitary design with easily removable parts allows for quick, thorough cleaning and maintenance

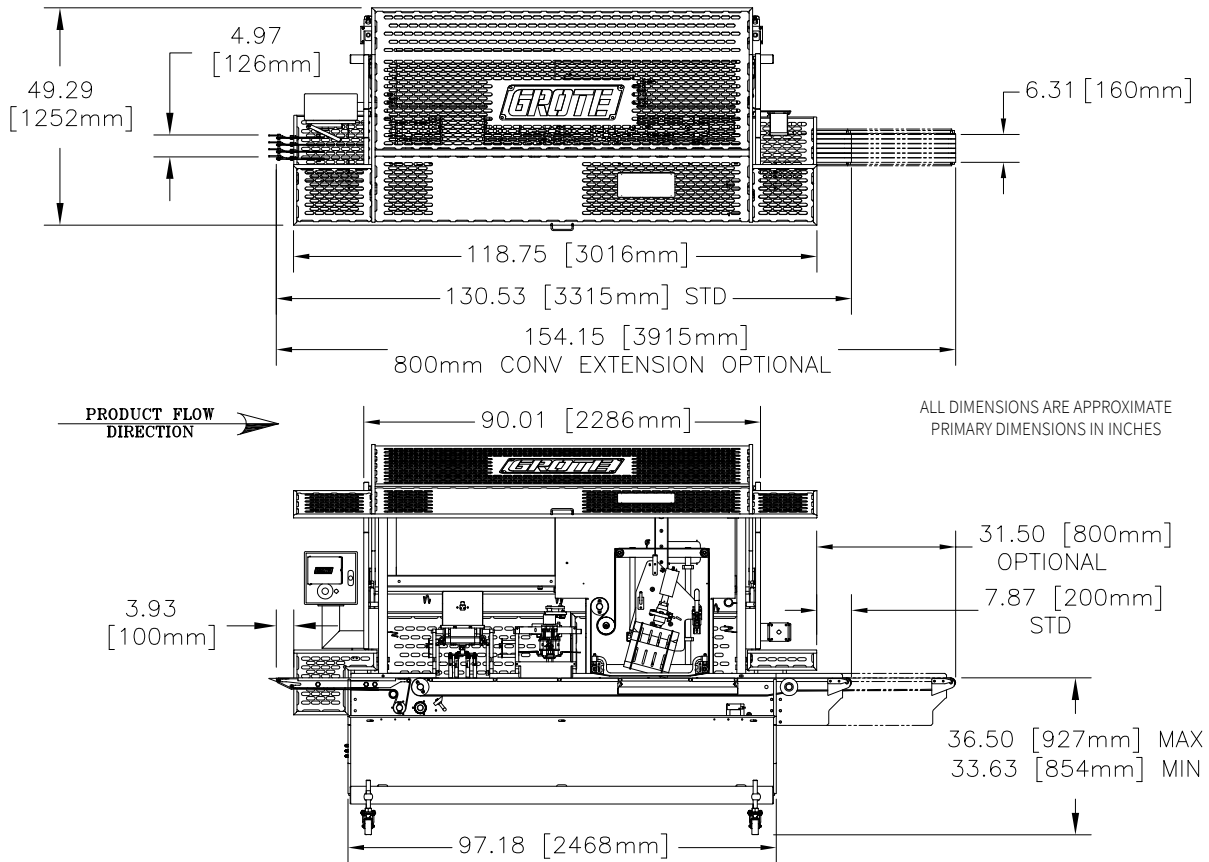
COMMON FOOD APPLICATIONS



Sandwiches



SANDWICH CUTTER AC60



This drawing contains confidential information is the exclusive property of the J.E. Grote Co. Neither this document, nor its contents, are to be used, reproduced or disclosed in whole or in part without the express written permission of the J.E. Grote Co. Copyright 2017, J.E. Grote Company, Inc.

SPECIFICATIONS

Product Size:

Width: 0.98-3.54" (25-90 mm)

Length: 5.9-11.8" (150-300 mm)

Sandwich Stack Height: 2.5-4.9"
(65-125 mm)

Wash Down: IP 65

Pneumatic: 30 psi

Electrical: 200-4575 VAC, 50/60 Hz,
3 Phase

FEATURES/PARTS

- Straight or diagonal cuts: half standard, quarter available with Tandem model
- Left- or right-hand frame orientation
- Mitsubishi PLC and operator interface standard (Allen Bradley available)
- Custom infeed and exit conveyor lengths available

OPTIONS/MORE INFO

- AC60M (mechanical) and AC60US (ultrasonic) models available
- Ultrasonic Tandem and Twin-lane models available
- Options: pneumatic 45 or 90 degree turning unit

E 10.17v4

CONTACT US

Grote Company is proud to provide top quality equipment, exceptional service and peace of mind worldwide. Contact us for more information or to schedule a demo of the Sandwich Cutter AC60 with your product in your exact operating conditions in our Demo Facility.



To feed our growing world - Together

sales@grotecompany.com
grotecompany.com