

PARTICULATE DEPOSITOR

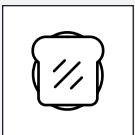
ACCURATE, CONSISTENT DEPOSITING
OF WET SALADS



The Particulate Depositor deposits and accurately portions wet salad products onto your sandwich line. Its auger ensures accurate deposits and portioning by consistently moving the product down the hopper. The availability of different models and configurations with a wide range of accessories ensures it is built to your exact application. With a Particulate Depositor you get accurate, consistent deposits and higher quality sandwich products.

- Precise volume control for a consistent deposit of wet salad products
- Configured to meet your specific operation – with a variety of depositing heads available
- Accurate deposits and portioning are ensured by the auger consistently moving the product down the hopper
- Sanitary design with tool-free disassembly allows for easy, quick and thorough wash down

COMMON FOOD APPLICATIONS



Sandwiches

GROTE[®]

PARTICULATE DEPOSITOR

SPECIFICATIONS

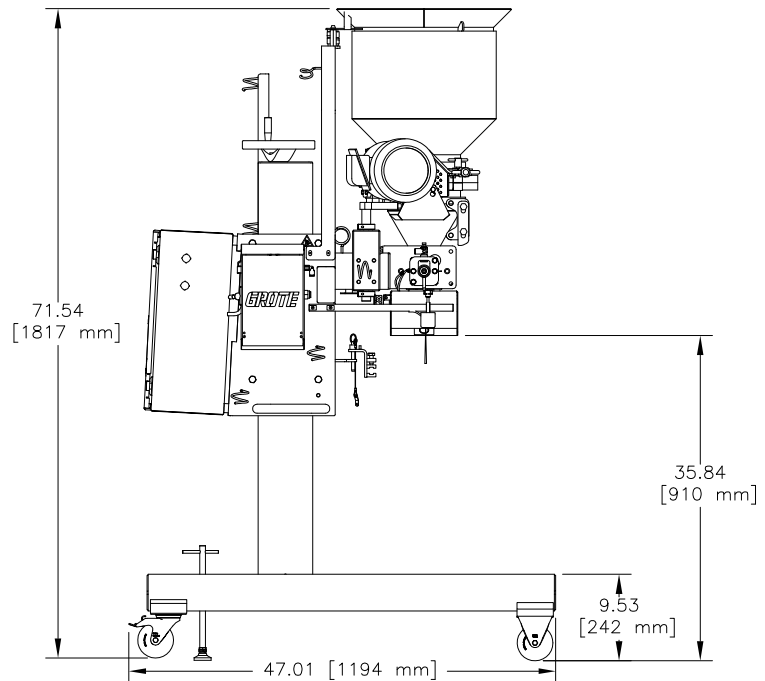
Pneumatic: 60 psi

Deposit Weight: up to 150 g standard,
250 g optional

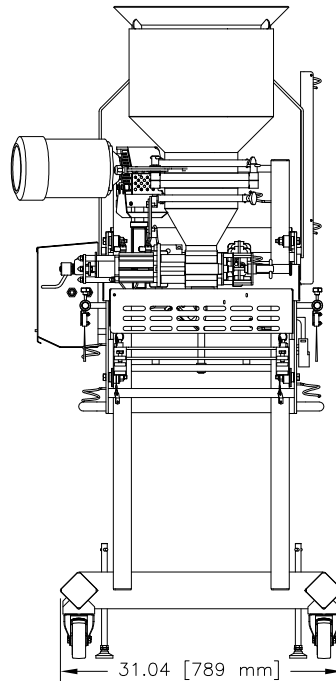
Electrical: 200-575 VAC, 50/60 Hz,
3 phase

FEATURES/PARTS

- Heads available: Basic, Sheeting, Shut Off Gate
- PLC and photo sensor controls for automatic actuation



ALL DIMENSIONS ARE APPROXIMATE
PRIMARY DIMENSIONS IN INCHES



This drawing contains confidential information is the exclusive property of the J.E. Grote Co. Neither this document, nor its contents, are to be used, reproduced or disclosed in whole or in part without the express written permission of the J.E. Grote Co. Copyright 2017, J.E. Grote Company, Inc.

E 10.17v5

CONTACT US

Grote Company is proud to provide top quality equipment, exceptional service and peace of mind worldwide. Contact us for more information or to schedule a demo of the Particulate Depositor with your product in your exact operating conditions in our Demo Facility.



To feed our growing world - Together

sales@grotecompany.com
grotecompany.com