

HORIZONTAL BISECTOR

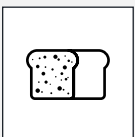
CUT FRESH OR FROZEN BREAD IN HALF FOR
YOUR SANDWICH ASSEMBLY LINE



The Horizontal Bisector cuts bread products horizontally into halves, and then transfers them to your sandwich assembly line for processing. With the Horizontal Bisector, you automate and control an additional step in your operation, increasing output and safety while ensuring consistent quality at a lower cost than pre-sliced products. It is available in a single-lane model for frozen sandwiches and a two-lane model, ideal for fresh sandwich lines.

- Slice up to 100 pieces per minute, per lane
- Single-lane (frozen) and two-lane (fresh) systems available
- Quickly and easily adjust cut heights for a variety of bread products, including rolls, biscuits, bagels, buns, croissants and paninis
- Can cut in temperatures as low as 20-32 degrees F to handle fresh and frozen products (see model specifics on back)
- Disposable AccuBand® band blades provide optimal quality, consistency and yield while eliminating resharpening and simplifying clean-up

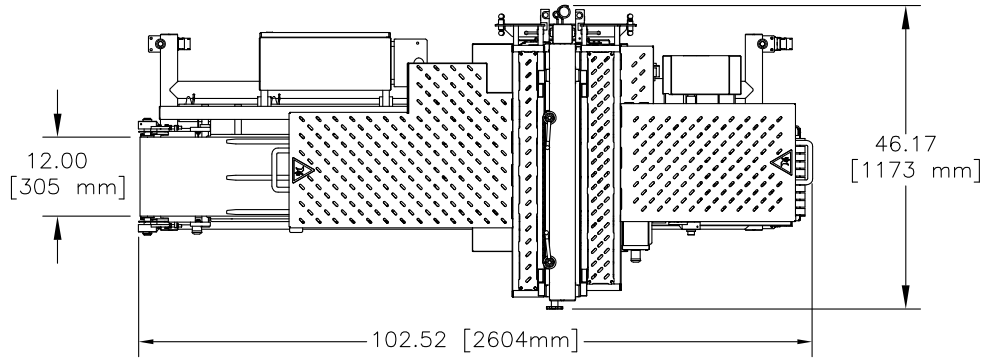
COMMON FOOD APPLICATIONS



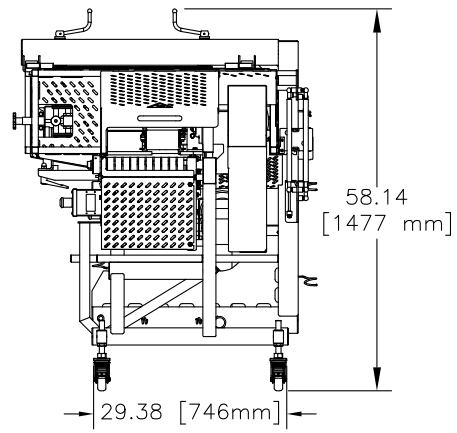
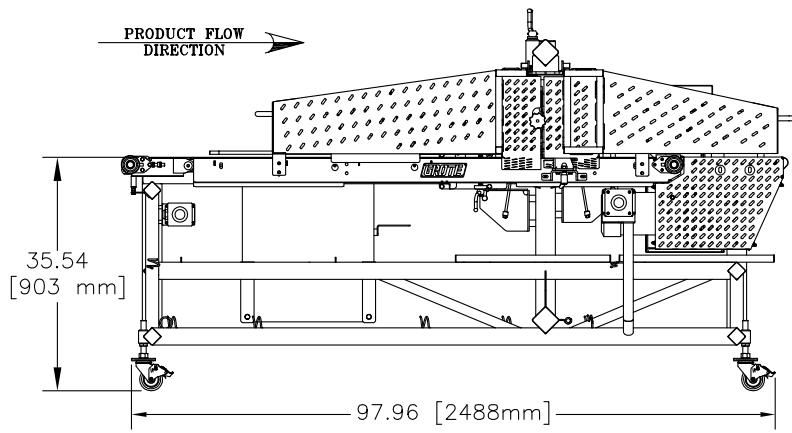
Bread



HORIZONTAL BISECTOR



ALL DIMENSIONS ARE APPROXIMATE
PRIMARY DIMENSIONS IN INCHES



This drawing contains confidential information is the exclusive property of the J.E. Grote Co. Neither this document, nor its contents, are to be used, reproduced or disclosed in whole or in part without the express written permission of the J.E. Grote Co. Copyright 2017, J.E. Grote Company, Inc.

SPECIFICATIONS

Product Size:
 Width: up to 4.94" (125.4 mm)
 Height: .5-3.25" (12.7-38.1 mm)
 Lowest Performance Temperature:
 HBS: 32 degrees F (0 C°)
 HBZ: 20 degrees F (-6 C°)

Electrical: 200-575VAC, 50/60 Hz,
 1-3 Phase
 Wash Down Rating: IP65
 Transfer Belt Speed: 13-40 FPM
 (4.0-12.2 M/min) with VFD adjustment

FEATURES/PARTS

- AccuBand blades and blade guides

OPTIONS

- Model HBS: Fresh, two-lane
- Model HBZ: Frozen, single-lane

E 10.17v5

CONTACT US

Grote Company is proud to provide top quality equipment, exceptional service and peace of mind worldwide. Contact us for more information or to schedule a demo of the Horizontal Bisection with your product in your exact operating conditions in our Demo Facility.



To feed our growing world - Together
 sales@grotecompany.com
 grotecompany.com