

# BREAD DENESTER WITH BUTTERING APPLICATOR

FEED BREAD SLICES TO YOUR TWO OR  
FOUR LANE LINE AT A PRESET SPEED



The Bread Denester consistently feeds and arranges sliced bread in two or four lanes at a programmed speed – ensuring a perfect integration with your entire sandwich assembly line. Sliced bread loaves are continuously loaded onto a feed conveyor then automatically transferred to the main conveyor, allowing ongoing operation with no stoppage – which increases production and reduces downtime – making the Bread Denester a perfect fit for your sandwich operation.

The optional Buttering Applicator coats butter on bread slices, creating a moisture barrier – ideal for fresh sandwiches to extend shelf life. It includes a conditioning unit with a water jacket and paddle wheel to pre-heat, condition and pump the butter, and roller applicators for even coating.

- Output of up to 60 bread slices per minute, per lane
- Two- or four-lane configurations available with Buttering Applicator
- Continuous loading of sliced bread loaves eliminates production stoppages
- Sanitary design with easily removable parts allows for quick and thorough cleaning
- Optional Buttering Applicator coats up to 5 g of butter creating a moisture barrier for fresh sandwiches to extend shelf life

## COMMON FOOD APPLICATIONS



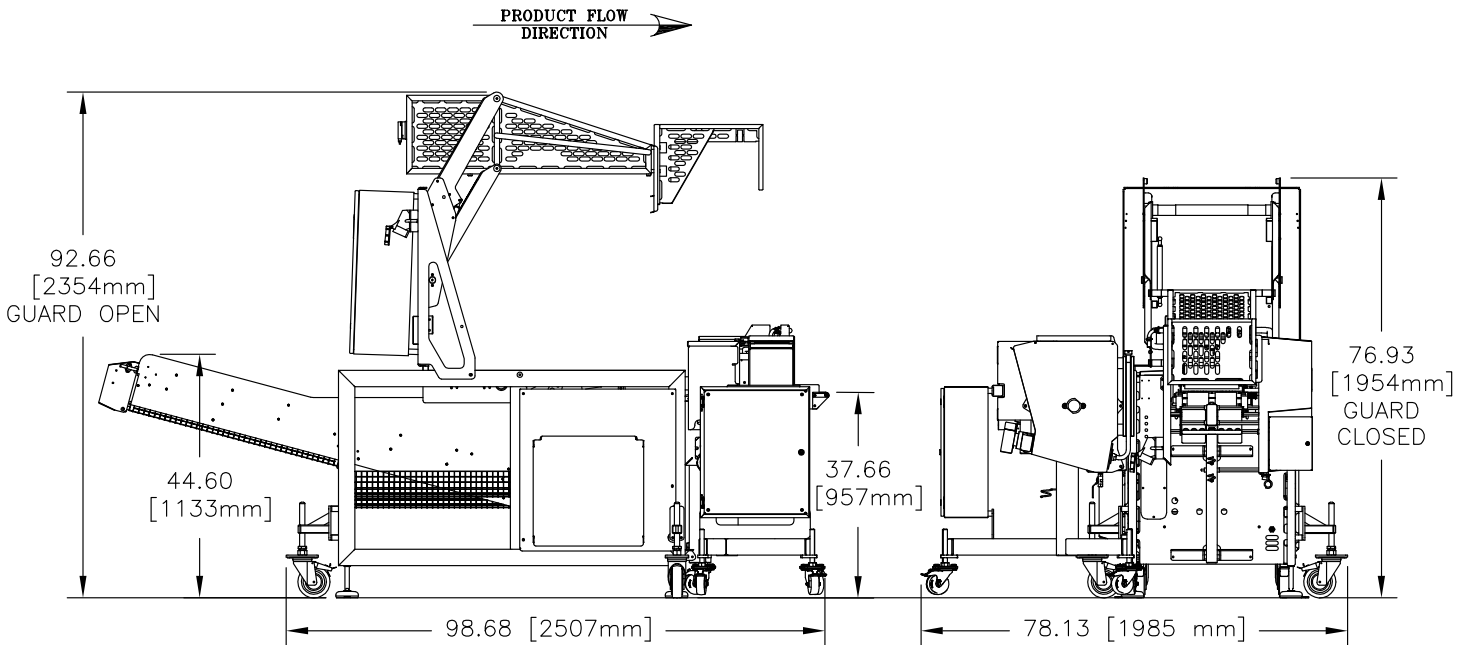
Bread



Sandwiches



# BREAD DENESTER WITH BUTTERING APPLICATOR



ALL DIMENSIONS ARE APPROXIMATE  
PRIMARY DIMENSIONS IN INCHES

This drawing contains confidential information is the exclusive property of the J.E. Grote Co. Neither this document, nor its contents, are to be used, reproduced or disclosed in whole or in part without the express written permission of the J.E. Grote Co. Copyright 2017, J.E. Grote Company, Inc.

## SPECIFICATIONS

Product Size:

Width: 3.54-4.92" (90-125 mm)

Height: 3.15-5.91" (80-150 mm)

Slice Thickness: .31-.79" (8-20 mm)

Wash Down: IP65

Pneumatic: 60 PSI

Electrical: 200-575 VAC, 50/60 Hz,  
3 Phase

## FEATURES/PARTS

- Two- and four-lane configurations available with Buttering Applicator, 6-lane configuration available with Denester only
- Mitsubishi PLC and operator interface standard, Allen-Bradley optional

## OPTIONS

- Buttering Applicator Unit: conditioner, pump, water jacket, paddle wheel, applicator rollers

E 10.17v4

## CONTACT US

Grote Company is proud to provide top quality equipment, exceptional service and peace of mind worldwide. Contact us for more information or to schedule a demo of the Bread Denester with Buttering Applicator with your product in your exact operating conditions in our Demo Facility.



To feed our growing world - Together

sales@grotecompany.com  
grotecompany.com