

MODULAR SLICER

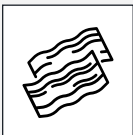
FLEXIBLE SLICE & APPLY WITH ACCURATE TARGETING FOR YOUR SINGLE-LANE NEEDS



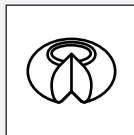
As the name suggests, the Modular Slicer is a flexible, modular slice and apply solution that tailors to your operation with its cantilevered design, adjustable functions and reversible left- and right-hand frame. Available in two models based on product size, it's ideal for single-lane operations looking for fast and accurate targeting application of a sliced product directly onto your moving line.

- Slice and apply up to 120 strokes per minute
- Set directly over your production line and customize height and frame orientation to tailor exactly to your specific operation
- Easy-to-use touch screen controls to adjust speed, modes and slice thickness, spacing, arrangement and counts
- Continuous product loading reduces downtime and increases output
- Sanitary design with easily removable parts allows for quick and thorough cleaning
- Disposable AccuBand® band blades provide optimal slice quality, consistency and yield while eliminating resharpening and simplifying clean-up

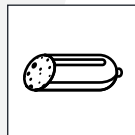
COMMON FOOD APPLICATIONS



Bacon



Cheese



Lunch Meats



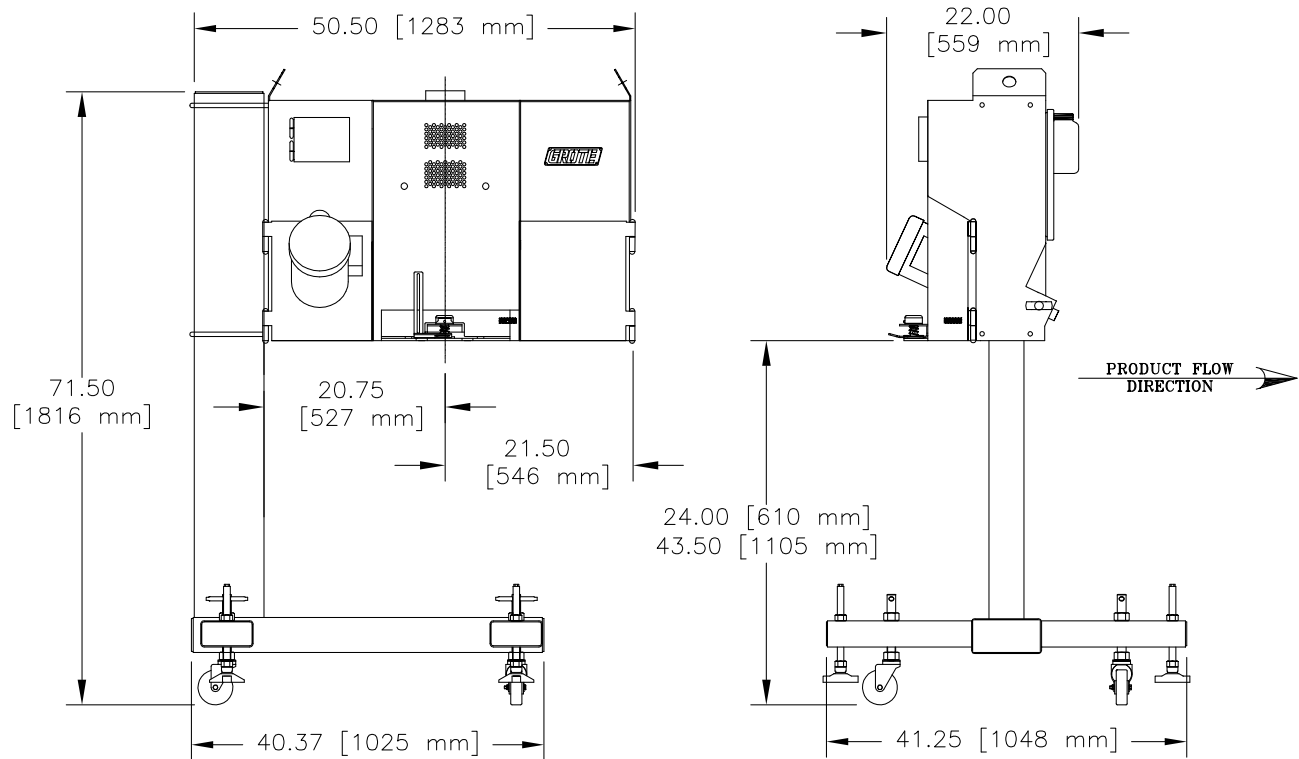
Pizza



Sandwiches



MODULAR SLICER



ALL DIMENSIONS ARE APPROXIMATE
PRIMARY DIMENSIONS IN INCHES

This drawing contains confidential information is the exclusive property of the J.E. Grote Co. Neither this document, nor its contents, are to be used, reproduced or disclosed in whole or in part without the express written permission of the J.E. Grote Co. Copyright 2017, J.E. Grote Company, Inc.

SPECIFICATIONS

Product Size:

SNP-412: 4x11.81" (101.6x300 mm)

SNP-505: 5x4.8" (127x122 mm)

Slice Thickness: up to .375" (9.52 mm)

Electrical: 200-240 VAC, 50/60 Hz,
1 Phase

FEATURES/PARTS

- AccuBand blades and blade guides
- Custom 26" (660 mm) tall product holders
- Target and Bulk Slice modes
- Adjustable deposit height
- Gravity feed

OPTIONS

- SNP-412 and SNP-505 models available
- Shuttle Conveyor

E 10.17v4

CONTACT US

Grote Company is proud to provide top quality equipment, exceptional service and peace of mind worldwide. Contact us for more information or to schedule a demo of the Modular Slicer with your product in your exact operating conditions in our Demo Facility.



To feed our growing world - Together

sales@grotecompany.com
grotecompany.com